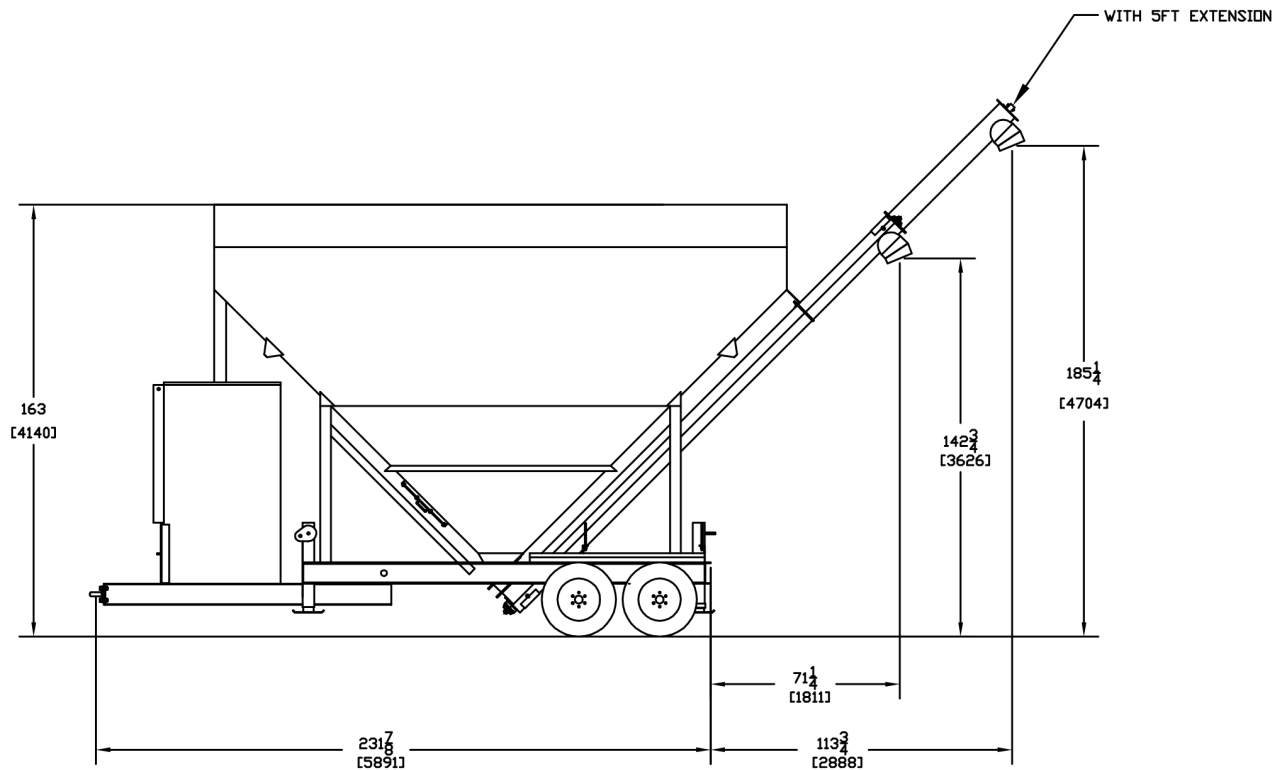


CONTROL YOUR CONCRETE

WITH THE CT-200LP LOW-PROFILE SILO



Base Specifications*

CEMENT CAPACITY	800 ft ³ / 22.65 m ³
SILO WEIGHT	8,000 lbs / 3,628 kg
SCREW FEED AUGER	7 in / 17.78 cm
ELECTRIC AUGER	5 HP

*Specifications provided are approximations
 *Standard unit color is white

STANDARD FEATURES

- Manual Slide Gate
- Two 6,000 lb Axles with Wheel & Tires
- Electric Brakes & Lights
- Belle 150 ft² Dust Hose with Air Vibrator
- Two Manual Air Valves
- 6" Long Vinyl Boot Sock
- Full Preparation & Quality Control Check

OPTIONS

- 9" Diameter Auger
- 5' Bolt-on Auger Extension
- Inlet Tub Material Filter
- On / Off Remote
- 330 ft² Pulse Jet Dust Collector
- 16HP Gas Engine (7" Auger Only)

